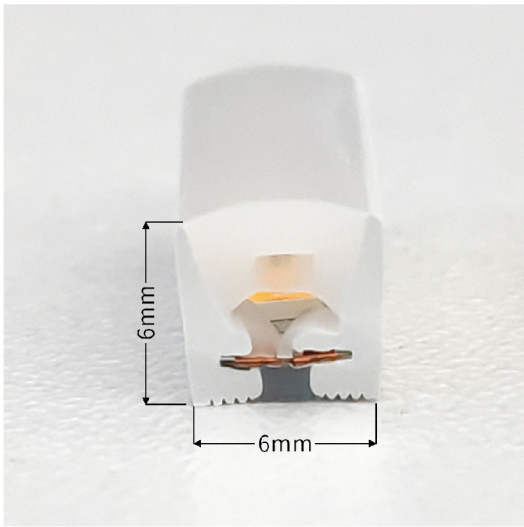




# LED FLEXIBLE NEON LIGHT SPECIFICATIONS

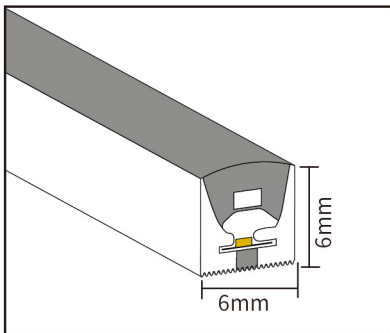
## >> PRODUCT CHARACTER



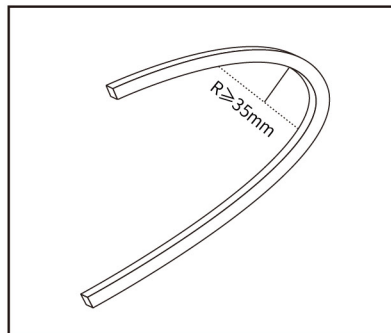
product model	TTK0606-144D
Voltage	DC12V/DC24V
Power	7.2W/Meter
Product size	6*6mm
CRI	≥80
Cutting length	1.38cm cut
Waterproof Grade	IP67
Optional color	red,yellow, blue, green, white,warm-white, pink,ice-blue, orange,purple,lemon-yellow
Application	Signage lighting,Architectural contour lighting

## >> PRODUCT FEATURES

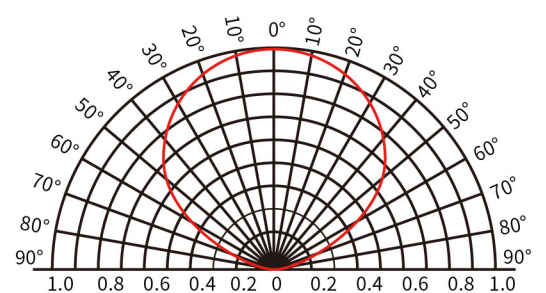
### 1.Product section



### 2.Maximum bending Angle



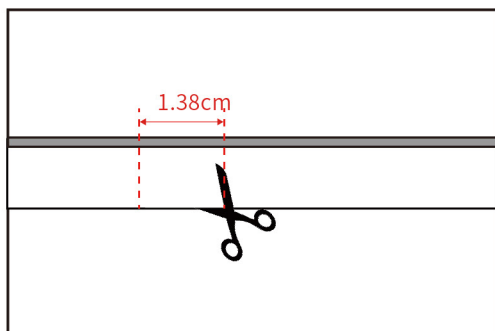
### 3.Luminous Angle:120°



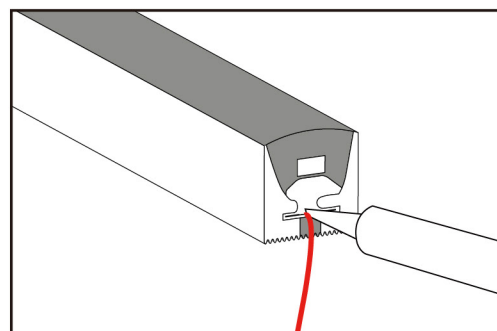
## >> INSTALLATION GUIDANCE

### 1..Cutting method and Coat with glue

(1)Crop at the black mark

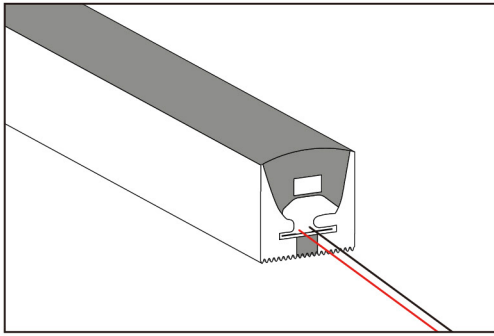


(2)Weld the positive and negative terminals to the electrode joints of the lamp strip with an electric rod solder

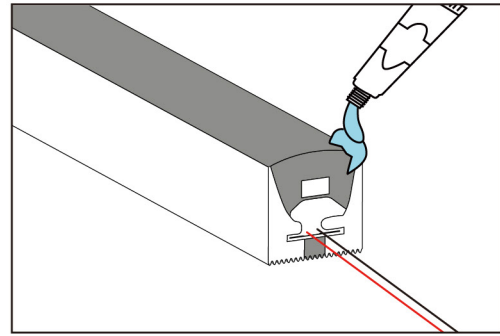




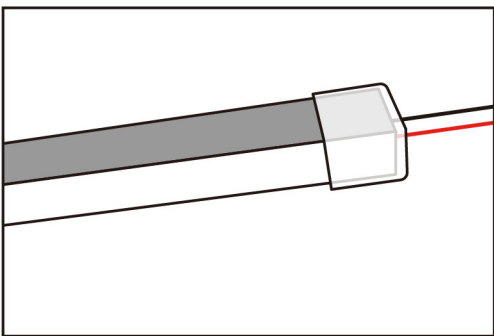
(3)Weld the positive and negative terminals to test whether the welding is correct



(4)Apply waterproof glue



(5)put on protective cover

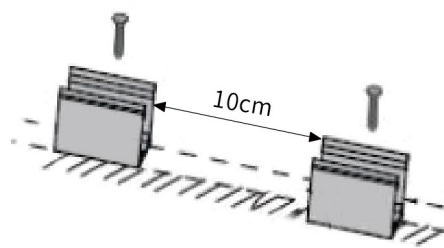
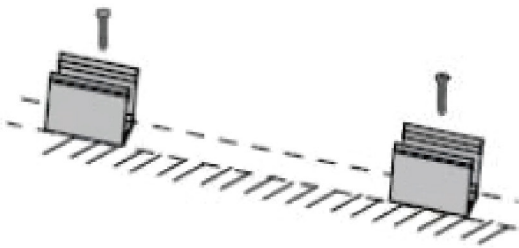


## >> INSTALLATION GUIDANCE

### 1.Installation of clip

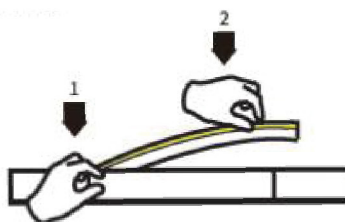
(1)Use screws to fix the clips or carriers on the mounting position

⚠ clip: 3 clips can be used for 1m



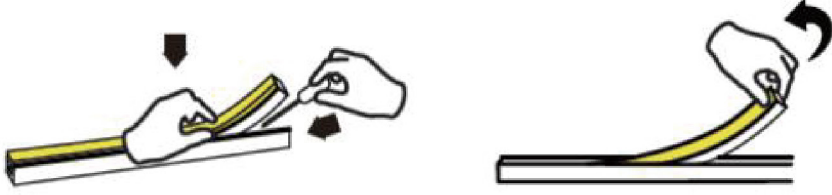
### 2.Installation of carring

(1)When installing the LED strip,install it from both ends at the same time,installation from one direction is prohibited.

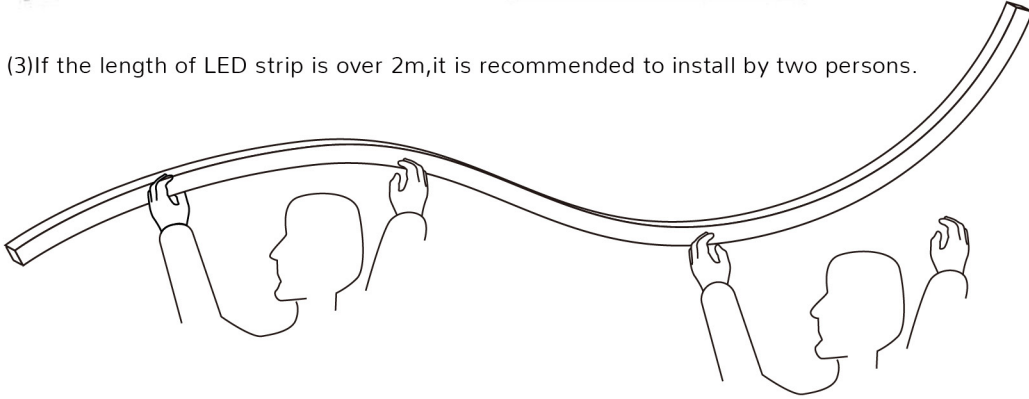




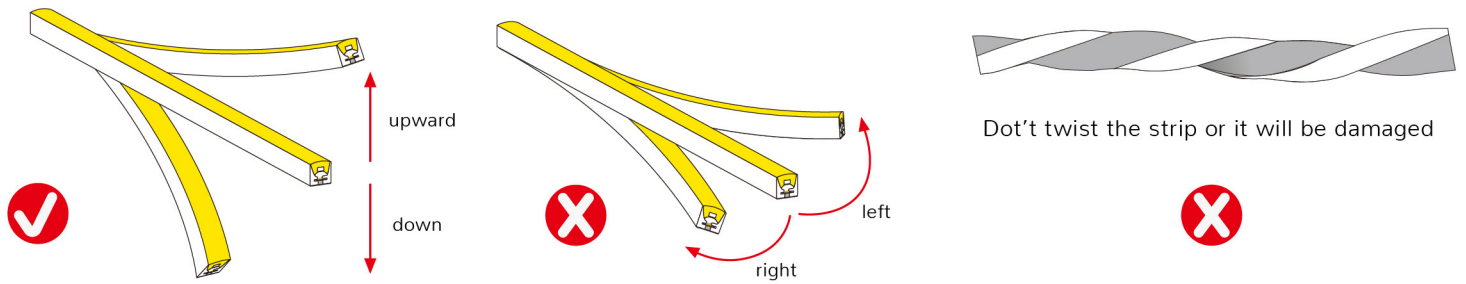
(2) Use tool to disassemble carefully, and do not pull the LED strip directly.



(3) If the length of LED strip is over 2m, it is recommended to install by two persons.



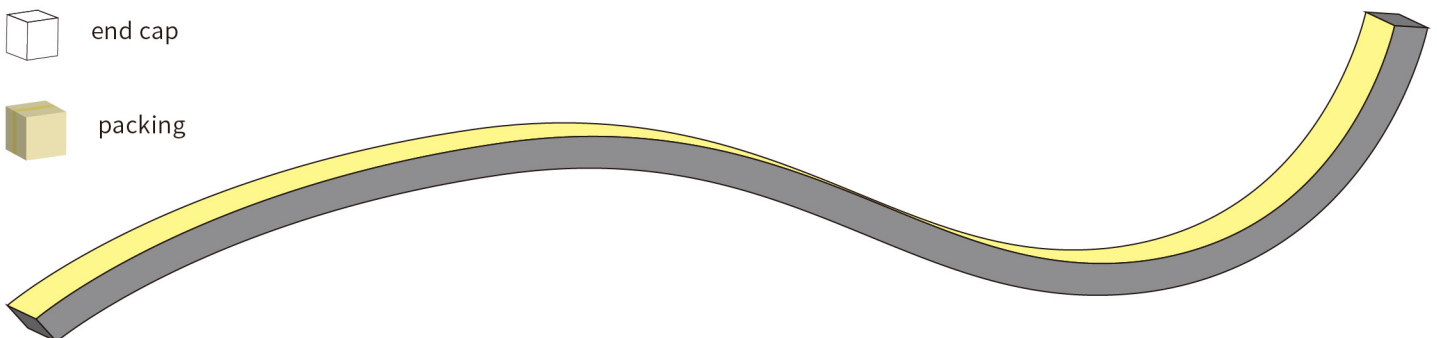
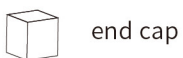
### 3. Bending direction



### 4. Features

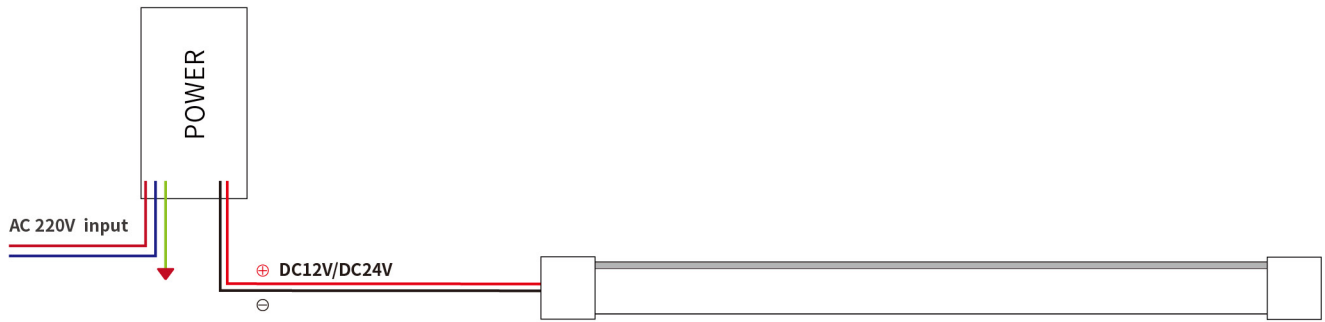
- (1) Strong flexibility and plasticity, neon light strip is made of pure silicone material, with high flexibility, can easily bend, twist, adapt to a variety of complex shapes and surfaces.
- (2) The small size neon strip produces bright, uniform and soft light without spots and glare. Its small luminous surface is suitable for use in small Spaces.
- (3) Compared with traditional neon lights, small-size neon strips use LED technology and consume less energy.
- (4) Corrosion resistance, weather resistance and IP67 waterproof.
- (5) The lamp belt can be cut or spliced according to needs, and only the card slot can be fixed when installing
- (6) 2 years warranty, life span over 36000 hours.

## >> Wiring installation diagram

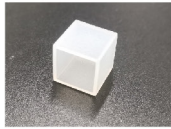
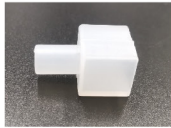
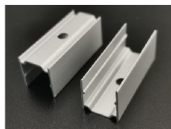




## >> WIRING DIAGRAM



## >> ACCESSORY INFORMATION

Name	Packing	Image	Net weight per box (kg)
End cap	500pcs/bag		0.01kg
End cap with hole	500pcs/bag		0.01kg
Aluminum clip	500pcs/bag		0.03kg

## >> APPLICATION

Home decoration (staircase lighting, hall aisle lighting, lighting decoration, edge hook decoration) Event venue decoration, exhibition venue decoration, exhibition hall decoration, show cases window, props and other decorative lighting applications, Linear light source and other applications.





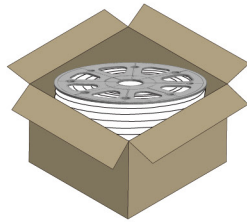
## >> NOTE & WARNING

- ▲ In order to be able to better achieve the luminous effect of products, each 5 meters or 10 meters long lamp with a power connecting
- ▲ In order to ensure the lamp with long service life and the environment, can not force pulling the power line in these process, no collision so as not to damage the LED lamp.
- ▲ In order to ensure the lamp with life and reliability, please don't in the 35mm below diameter arc bending, not half so as not to damage the lamp or broken.
- ▲ Try to install the appropriate environment.
- ▲ Please note that careful operation, in the case of power on, don't hit the ac power, avoid shock.

## >> PACKAGING



50m/roll



weight:3kg/box

